



**INSTRUCTIONS FOR INSTALLING A COLD CONTROL ASSEMBLY REPLACEMENT KIT
IN A NATIONAL VENDORS® CROWN SEVENTY TWO® GG-424 GRAND GOURMET FOOD
MERCHANTISER**

CHECK THE PARTS RECEIVED IN THE KIT WITH THE PARTS LIST IN THESE INSTRUCTIONS. FIGURE 1 SHOWS ALL THE PARTS IN THE KIT. IF ANY PARTS ARE MISSING, CONTACT NATIONAL VENDORS' PARTS DEPARTMENT IMMEDIATELY.

These instructions cover the procedure for installing a Cold Control Assembly Replacement kit in a Crown Seventy Two GG-424 Food Merchandiser.

Read these instructions carefully and thoroughly before installing the kit. Retain these instructions for part number and installation information.

Kit, Cold Control Assembly Replacement, part number 424-1281, contains the following parts:

Part Number	Description	Quantity
424-1280	Cold Control Assembly	1
230-2227	Wire Clamp	1
9900-157	No.8-32 x 7/32 Hex. W/HD S/T Screw	1
613-1148	No.8 External Tooth Lockwasher	1
310-2447	No.8-32 x 3/4 PHS T/C Screw	1
424-1282	Installation Instructions	1

TO INSTALL THE KIT

A. PARTS REMOVAL

1. Unlock and open the Monetary Compartment.
2. Move the Main Switch to the OFF position.
3. Remove eight attaching Screws and the Exhaust Screen from the rear of the Merchandiser.
4. Remove the Screw and Nut which attach the Ground Wire, Wire Clamp and two Harnesses to the Thermostat Bracket. See Figure 2. The Screw, Nut and Wire Clamp will not be reinstalled.
5. Loosen the two Screws which attach the Thermostat Bracket to the rear Refrigeration Lines Support Block and lower the Bracket and Thermostat. See Figure 2.
6. Loosen the attaching Screw and remove the Thermostat Terminal Cover from the Thermostat. See Figure 2.

7. Disconnect the two flag terminals of the Health Control and Thermostat Harness from the Thermostat and remove the Thermostat and Thermostat Bracket from the Merchandiser. See Figure 2.

B. INSTALLATION OF THE KIT

1. Remove one attaching Screw and the Terminal Cover from the Cold Control Assembly included in the kit, part number 424-1280, as shown in Figure 1.
2. Remove one attaching Screw from the left end of the front Refrigeration Lines Support Block. See Figure 3.
3. Place the Wire Clamp included in the kit, part number 230-2227, around the Compressor Harness and attach the Clamp and Compressor Harness to the Refrigeration Lines Support Block with the Screw removed in Step B-2. See Figure 3. (An extra Screw, part number 310-2447, is included in the kit.)
4. Remove the two Screws which attach the rear Refrigeration Lines Support Block to the Cabinet. See Figure 4.
5. Insert the bulb of the Cold Control Assembly included in the kit, part number 424-1280, through the opening between the Refrigeration Lines Support Blocks and into the Heat Exchanger Compartment. Press the Stopper securely into the opening. See Figure 4.
6. Attach the Mounting Bracket of the Cold Control Assembly to the rear Refrigeration Lines Support Block with the two Screws removed in Step B-4. See Figure 4.
7. Connect the two flag terminals of the Health Control and Thermostat Harness to the Thermostat. See Figure 4.
8. Reattach the Terminal Cover removed in Step B-1 to the Thermostat. See Figure 4.

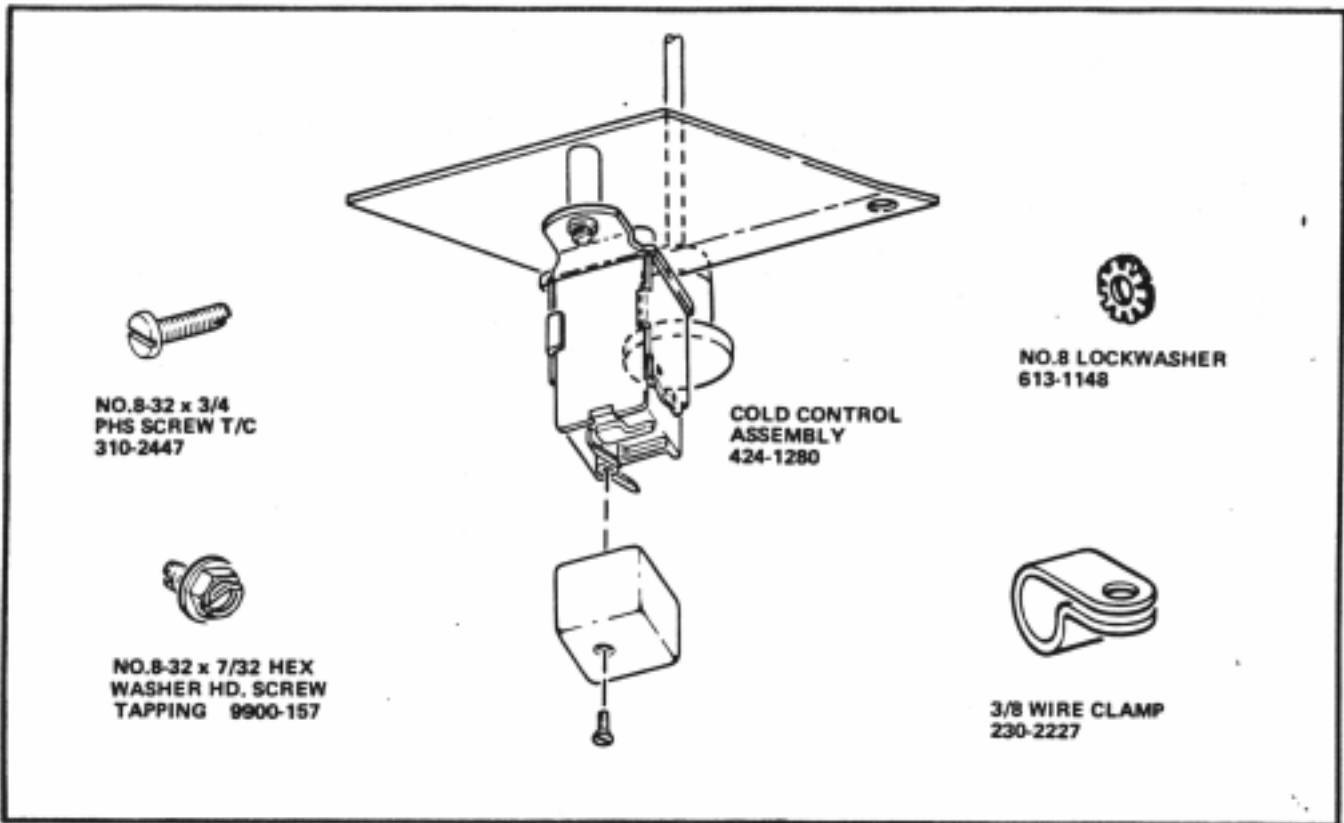


FIGURE 1

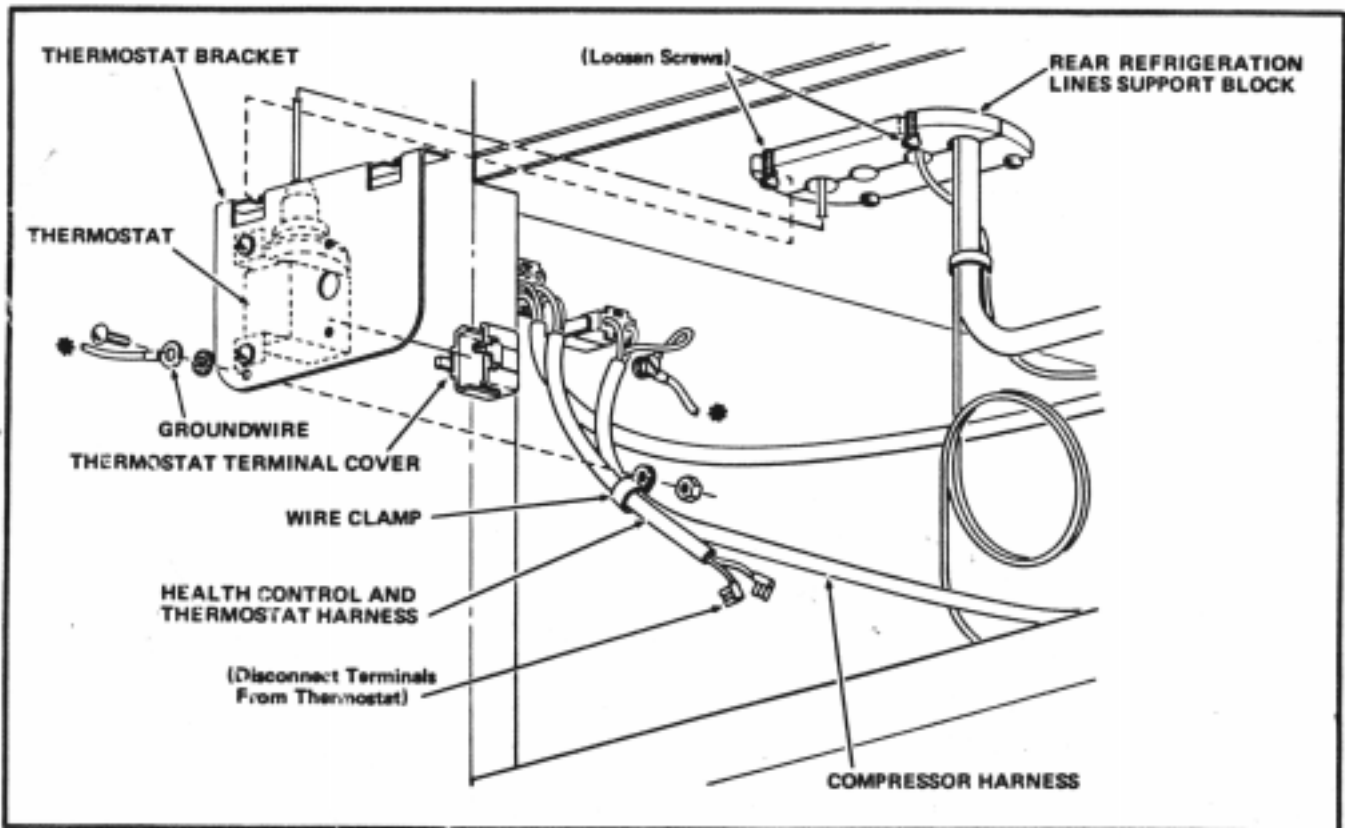


FIGURE 2

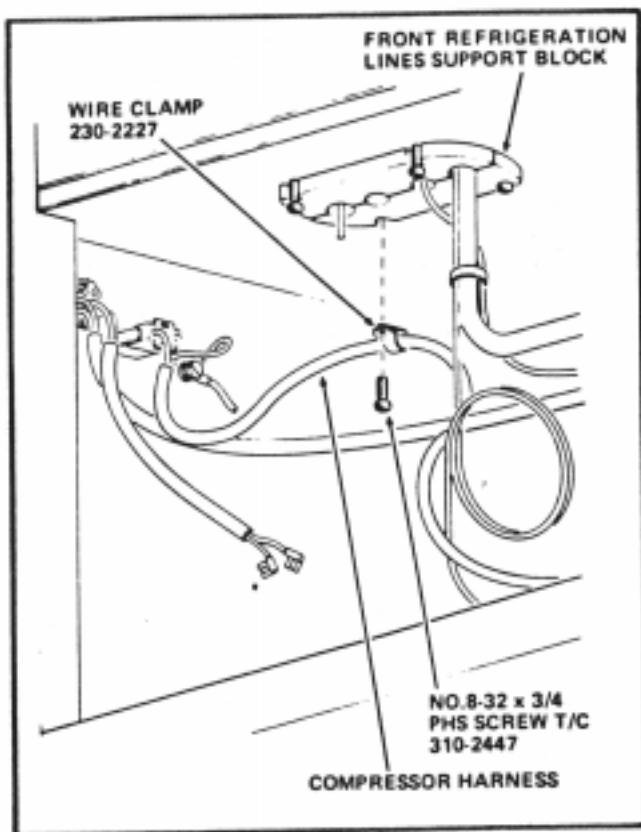


FIGURE 3

9. Attach the Groundwire to the Mounting Bracket with the Lockwasher, part number 613-1148, and the Screw, part number 9900-157, both parts included in the kit. See Figure 4.
10. Install eight Screws and the Exhaust Screen removed in Step A-3.
11. Move the Main Switch to the ON position.
12. Close and lock the Monetary Compartment.

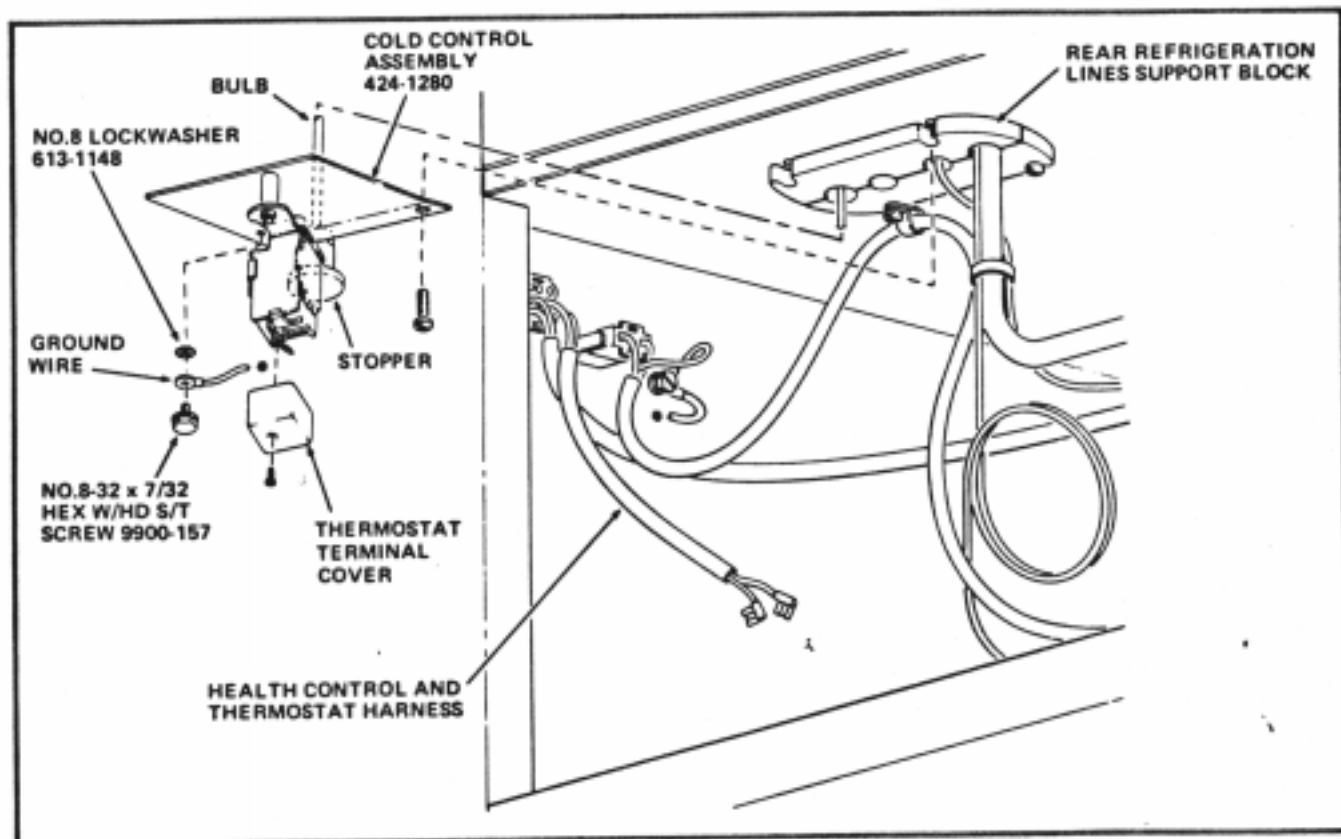


FIGURE 4